

PNEUMATIC VALVES 3 and 5-way **SERIES V**



OVERVIEW

BATTLEFIELD INTERNATIONAL

Battlefield International Inc. is a Canadian based designer and manufacturer of fluid power components. We began production in the fall of 1997 and are comprised of employees with many years experience in the pneumatics industry. We plan on a marketing strategy of sales through distributors and will support them in every way possible.



As we are developing our sales distribution team for the world market, we will be happy to deal directly with any end users or OEM companies that are not close to one of our distributors. We have a "no-minimum" billing policy, and want to ensure that access to our product is easy for everyone.



We believe that just as children are so full of potential and ability, our young, growing company can also realize the full results of our efforts. By working together as a team with enthusiasm and true enjoyment of our task, we can all be successful. Our progress to date can be attributed to the single-minded goal of being number one in our field, while building lasting relationships with our customers. We look forward to more worldwide market development.



Battlefield International Inc. has developed a product line of pneumatic valves and cylinders. We offer ISO cylinders from 32 to 100 mm bore in any stroke required. Our standard delivery for these cylinders is 48 hours. Our cylinders are available with linear guide units, reed switch sensing, and many special rod and mount configurations. Our valves complement the cylinders very well by ensuring excellent cycle life, and are available with solenoid, manual, and pilot operators. The valves are available from M5 or 10/32" ported, to 1/2" NPT or BSP thread sizes. If you are only interested in a portion of our product line, we would still be very interested in hearing from you and exploring the potential business we could achieve together.



BATTLEFIELD PNEUMATIC VALVE PART-NUMBER GUIDE

1	2	3	4	5	6	7	8	9	10	11	12	13	14	15
V	0	4	5	2	E	S	X	X	X	1	2	0	A	C

DIGITS 1,2&3	PORT SIZE
V01	M5 Size
V02	1/8" Ports
V04	1/4" Ports
V08	1/2" Ports
VM1	1/8" High Flow Mini-Size

DIGIT 7	RETURN METHOD
A	Internal Air Spring Return
D	Detent
E	Solenoid Return
P	Air Pilot Return
S	Spring Return

DIGITS 4&5	NUMBER OF WAYS & POSITIONS
3 2	3 Way Two Position
5 2	5 Way Two Position
5 3	5 Way Three Position

DIGIT 8	OPTIONS
C	Closed or Blocked Ports in Center Position
D	Dominating Pilot on One Side
L	External Pilot Supply To Solenoids
M	Built-in "Push To Connect" Fitting
O	Open Cylinder Ports in Center Position
X	No Options

DIGIT 6	ACTUATION METHOD
B	Plunger Actuated Bulkhead
E	Solenoid Actuated
F	Finger Button Actuated
I	Idle/One Way Roller Actuated
L	Lever Actuated
M	Mushroom Button Actuated
P	Air Pilot Actuated
R	Roller Actuated
T	Selector Actuated
U	Push/Pull Button Actuated
X	Mechanical Plunger Actuated

DIGITS 9 & 10	PORT FITTINGS
4X	4mm OD Push Fitting
XX	No Options

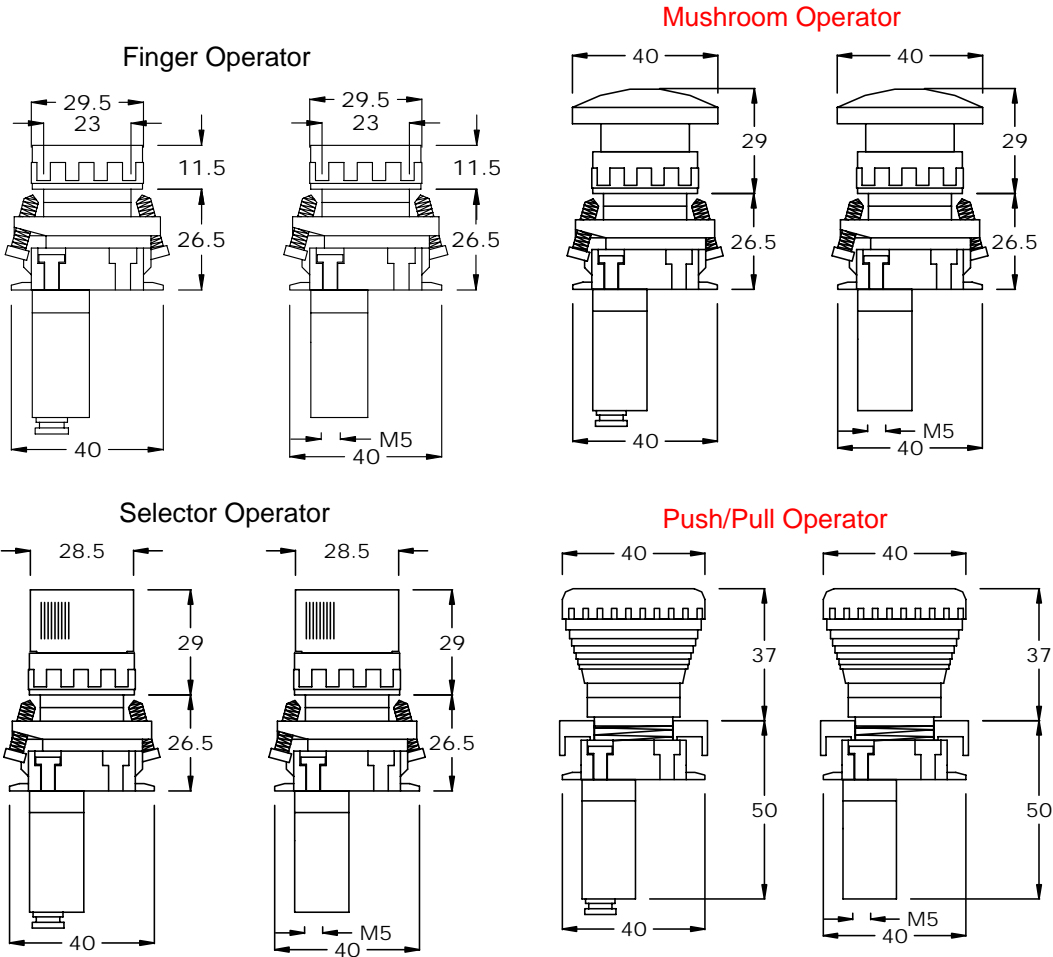
DIGITS 11-15	VOLTAGE
Nothing (no digits)	No Coils or Coil Plugs Included
120AC	120/60 (Coils & Plugs Included)
220AC	220/60 (Coils & Plugs Included)
12VDC	12V- (Coils & Plugs Included)
24VAC	24/60 (Coils & Plugs Included)
24VDC	24V- (Coils & Plugs Included)
48VAC	48/60 (Coils & Plugs Included)

Battlefield International Inc.
 1664 Kohler Road
 Cayuga, Ontario N0A 1E0
Phone (905) 772-3000
 Fax (905) 772-3099

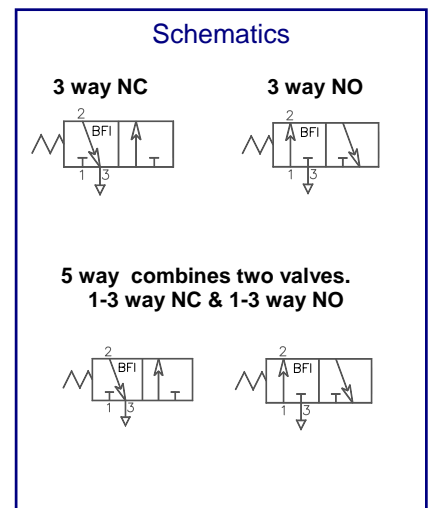
BATTLEFIELD INTERNATIONAL PNEUMATIC VALVES

MANUAL VALVES 22.5mm PANEL MOUNT 3-WAY

Series V01 panel valves are used to control air pilot valves, or to directly control small cylinders. They are easily mounted in pneumatic control panels. The mushroom buttons are red, the selectors are black and the finger operators come with red, white and black colored finger plates. The push/pull operators are red in color as they are often used as emergency stops. When the push/pull buttons are pushed they will stay detented until they are manually pulled back to the starting position. Temperature range is -20C.....+80C. Pressure range is 0.....10 bar .



Part Number With 10/32 or M5 Female Thread	Part Number With 4mm OD Push to Connect Fittings	Description NC= Normally Closed NO= Normally Open
V0132FSXXX V0132FSOXX V0152FSXXX	V0132FSX4X V0132FSO4X V0152FSX4X	Finger Operated 3 way NC Finger Operated 3 way NO Finger Operated 5 way
V0132MSXXX V0132MSOXX V0152MSXXX	V0132MSX4X V0132MSO4X V0152MSX4X	Mushroom Operated 3 way NC Mushroom Operated 3 way NO Mushroom Operated 5 way
V0132TSXXX V0132TSOXX V0152TSXXX	V0132TSX4X V0132TSO4X V0152TSX4X	Selector Operated 3 way NC Selector Operated 3 way NO Selector Operated 5 way
V0132USXXX V0132USOXX V0152USXXX	V0132USX4X V0132USO4X V0152USX4X	Push/Pull Operated 3 way NC Push/Pull Operated 3 way NO Push/Pull Operated 5 way

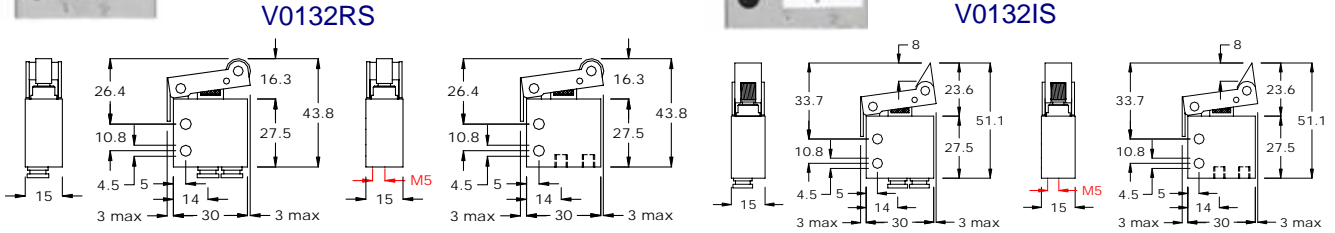


MECHANICAL VALVES
3- WAY

BATTLEFIELD INTERNATIONAL PNEUMATIC VALVES



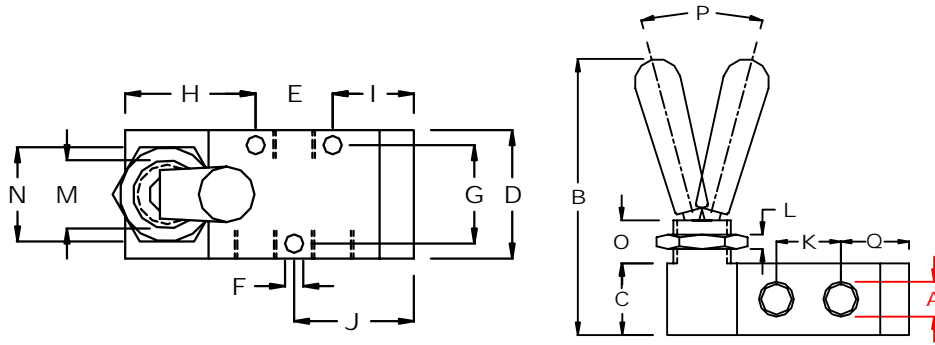
Series V01 roller valves are used to control air pilot valves, or to directly control small cylinders. These valves are made from machined and anodized aluminum. Temperature range is -20C....+80C.



Part Number With 4mm - 5/32 OD Instant Tube Fittings	Part Number With M5 - 10/32 Female Thread	Schematic	Description
V0132RSX4X	V0132RSXXX		3/2 way Manual Valve Roller Operated Spring Return Normally Closed
V0132ISX4X	V0132ISXXX		3/2 way Manual Valve Idle or One-way Roller Operated Spring Return Normally Closed

LEVER VALVES
3- WAY

Series V0X32L are 3 way 2 position valves used to control air pilot valves, or to directly control cylinders. They are easily mounted in pneumatic control panels by utilizing the mounting nut. Our V0X32L valves are made from machined and anodized aluminum. Temperature range is -20C....+80C. Pressure range is 0....10 bar .

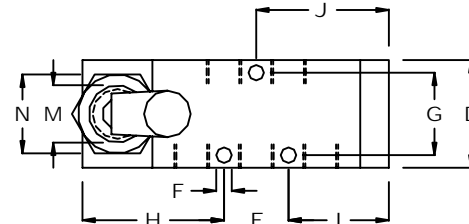
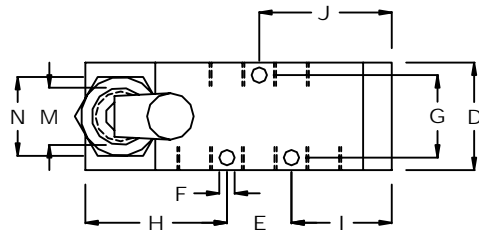
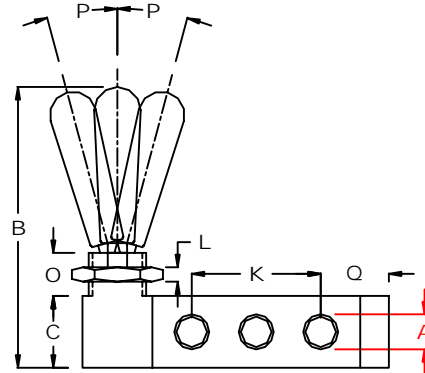
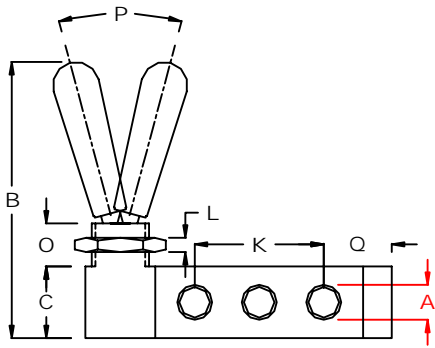


Part Number	Description	Schematic	A	Flow	B	C	D	E	F	G	H	I	J	K	L	M	N	O	P	Q
V0232LSXXX	1/8" Lever / Spring		1/8	650 l/m	68	20	30	18	4.3	23	31	19	28	18	6	M16X1.5	22	12	30d	19
V0432LSXXX	1/4" Lever / Spring		1/4	1080 l/m	87	25	40	20	4.3	30	37.5	19.5	30	22	4	M25X1.5	32	12.5	30d	19
V0232LDXXX	1/8" Lever / Detent		1/8	650 l/m	68	20	30	18	4.3	23	31	19	28	18	6	M16X1.5	22	12	30d	19
V0432LDXXX	1/4" Lever / Detent		1/4	1080 l/m	87	25	40	20	4.3	30	37.5	19.5	30	22	4	M25X1.5	32	12.5	30d	19

BATTLEFIELD INTERNATIONAL PNEUMATIC VALVES

LEVER VALVES 5-WAY

Series V0X5XL are 5 way, 2 or 3 position valves used to control air pilot valves, or to directly control cylinders. They are easily mounted in pneumatic control panels by utilizing the mounting nut. Our lever valves are made from machined and anodized aluminum. Temperature range is -20C....+80C. Pressure range is 0....10 bar . Flows for 1/8" valves are 650 l/m and 1/4" at 1080 l/m.



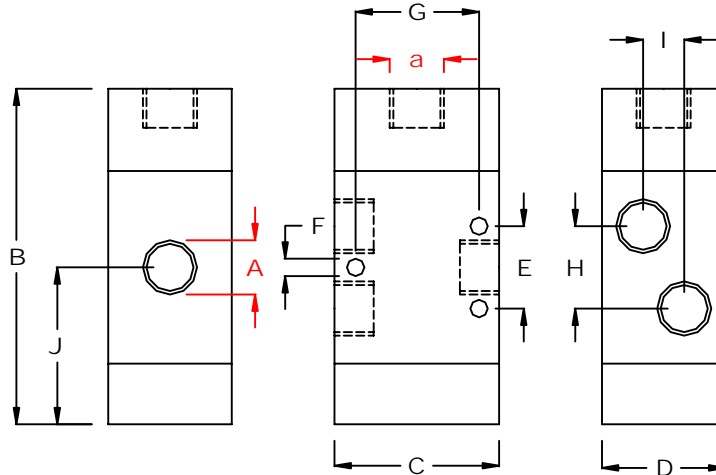
Part Number	Description	Schematic	A	Flow	B	C	D	E	F	G	H	I	J	K	L	M	N	O	P	Q
V0252LDXXX	1/8"5way,2position, detent		1/8	650 l/m	68	20	30	18	4.3	23	40	28	37	36	4	M16X1.5	22	12	30d	19
V0452LDXXX	1/4"5way,2position, detent		1/4	1080 l/m	87	25	40	20	4.3	30	46	29	39	41	6	M25X1.5	32	12.5	30d	18.5
V0252LSXXX	1/8"5way,2position, spring return		1/8	650 l/m	68	20	30	18	4.3	23	40	28	37	36	4	M16X1.5	22	12	15d	19
V0452LSXXX	1/4"5way,2position, spring return		1/4	1080 l/m	87	25	40	20	4.3	30	46	29	39	41	6	M25X1.5	32	12.5	15d	18.5
V0253LDCXX	1/8"5way,3position, closed center, detent		1/8	530 l/m	68	20	30	18	4.3	23	40	28	37	36	4	M16X1.5	22	12	30d	19
V0453LDCXX	1/4"5way,3position, closed center, detent		1/4	800 l/m	87	25	40	20	4.3	30	46	29	39	41	6	M25X1.5	32	12.5	30d	18.5
V0253LDOXX	1/8"5way,3position, open center, detent		1/8	530 l/m	68	20	30	18	4.3	23	40	28	37	36	4	M16X1.5	22	12	15d	19
V0453LDOXX	1/4"5way,3position, open center, detent		1/4	800 l/m	87	25	40	20	4.3	30	46	29	39	41	6	M25X1.5	32	12.5	15d	18.5
V0253LSCXX	1/8"5way,3position, closed center, spring return		1/8	530 l/m	68	20	30	18	4.3	23	40	28	37	36	4	M16X1.5	22	12	30d	19
V0453LSCXX	1/4"5way,3position, closed center, spring return		1/4	800 l/m	87	25	40	20	4.3	30	46	29	39	41	6	M25X1.5	32	12.5	30d	18.5
V0253LSOXX	1/8"5way,3position, open center, spring return		1/8	530 l/m	68	20	30	18	4.3	23	40	28	37	36	4	M16X1.5	22	12	15d	19
V0453LSOXX	1/4"5way,3position, open center, spring return		1/4	800 l/m	87	25	40	20	4.3	30	46	29	39	41	6	M25X1.5	32	12.5	15d	18.5

PILOT VALVES 3-WAY

BATTLEFIELD INTERNATIONAL PNEUMATIC VALVES



Series V0X32P are 3 way 2 position valves used to control air pilot valves, or to directly control cylinders and other pneumatic devices. This series offers exceptional flow characteristics and the 1/8 and 1/4 ported valves can be manifold mounted. Our V0X32P valves are made from machined and anodized aluminum. Temperature range is -20C.....+80C. Supply pressure range is 0.....10 bar and the pilot pressure minimum is 2.5 bar.

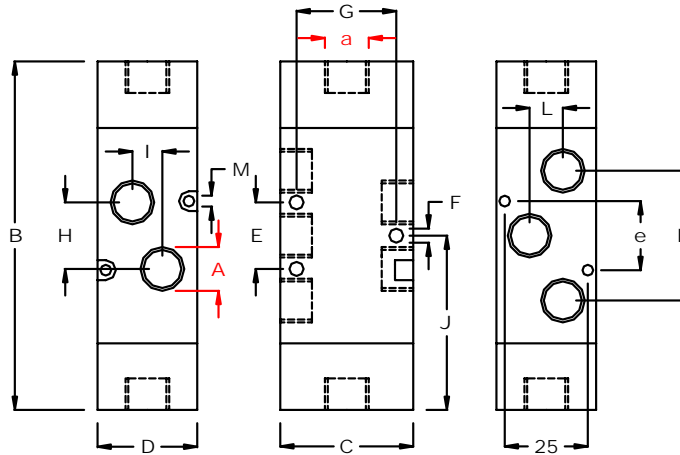


Part Number	Description	Schematic	A	a	Flow	B	C	D	E	F	G	H	I	J
V0232PSXXX	1/8"3way 2position, pilot operated, spring return, normally closed		1/8	1/8	650 l/m	74	30	26	18	4.25	23	18	0	34.5
V0432PSXXX	1/4"3way 2position, pilot operated, spring return, normally closed		1/4	1/8	1080 l/m	81.5	40	30	20	4.25	30	20	10	38
V0832PSXXX	1/2"3way 2position, pilot operated, spring return, normally closed		1/2	1/8	3500 l/m	118	60	40	40	5.5	50	40	0	52
V0232PSOXX	1/8"3way 2position, pilot operated, spring return, normally open		1/8	1/8	650 l/m	74	30	26	18	4.25	23	18	0	34.5
V0432PSOXX	1/4"3way 2position, pilot operated, spring return, normally open		1/4	1/8	1080 l/m	81.5	40	30	20	4.25	30	20	10	38
V0832PSOXX	1/2"3way 2position, pilot operated, spring return, normally open		1/2	1/8	3500 l/m	118	60	40	40	5.5	50	40	0	52
V0232PPXXX	1/8"3way 2position, double pilot operated		1/8	1/8	650 l/m	79	30	26	18	4.25	23	18	0	39.5
V0432PPXXX	1/4"3way 2position, double pilot operated		1/4	1/8	1080 l/m	87	40	30	20	4.25	30	20	10	43.5
V0832PPXXX	1/2"3way 2position, double pilot operated		1/2	1/8	3500 l/m	132	60	40	40	5.5	50	40	0	52

BATTLEFIELD INTERNATIONAL PNEUMATIC VALVES

PILOT VALVES 5-WAY

Series VOX5XP are 5 way, 2 or 3 position valves used to control air pilot valves, or to directly control cylinders and other pneumatic devices. This series offers exceptional flow characteristics and the 1/8 and 1/4 ported valves can be manifold mounted. Our VOX5XP valves are made from machined and anodized aluminum. Temperature range is -20C....+80C. Supply pressure range is 0....10 bar and the pilot pressure minimum is 2.5 bar.



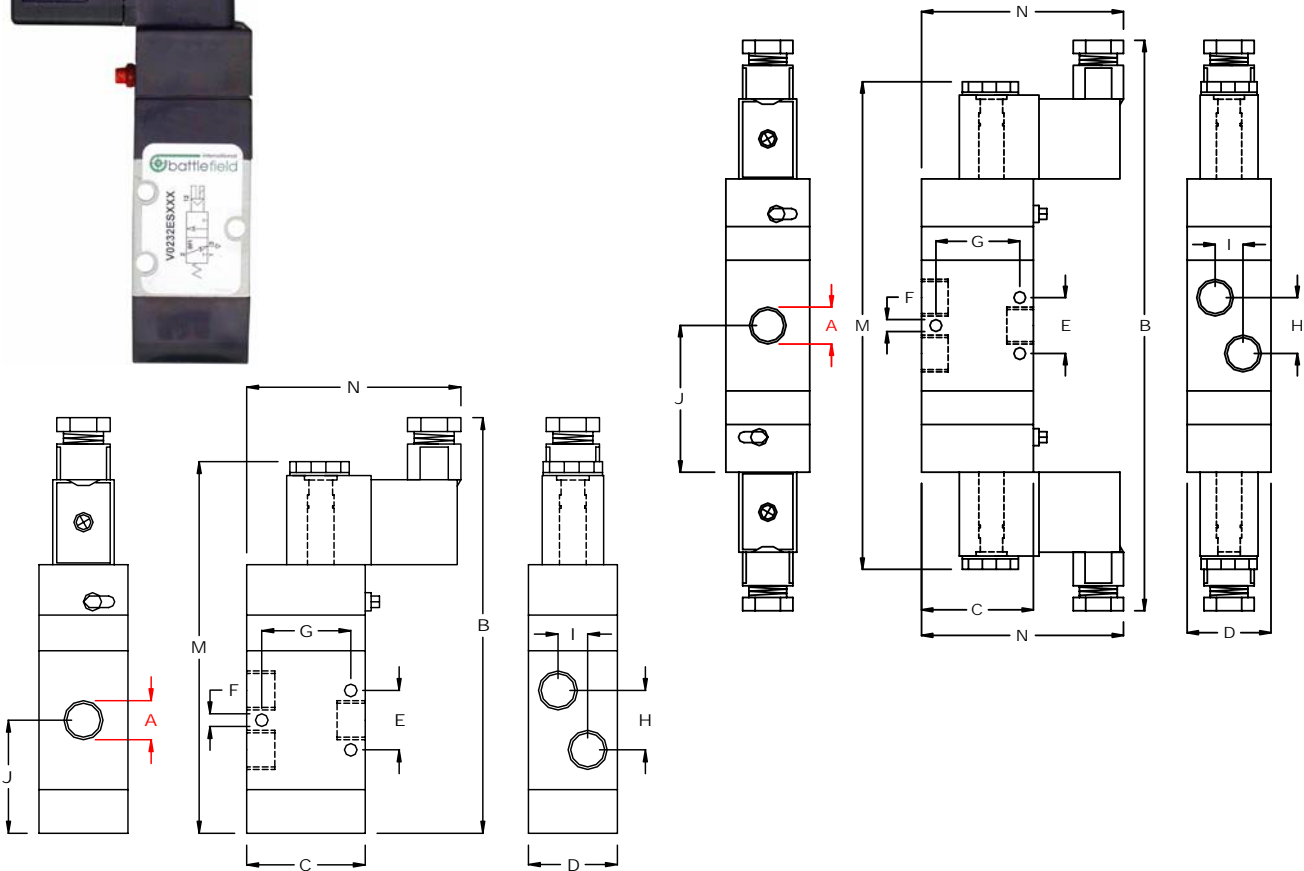
Part Number	Description	Schematic	A	a	Flow	B	C	D	E	F	G	H	I	J	K	L	M	N
V0252PSXXX	1/8"5way,2position, spring return		1/8	1/8	650 l/m	91	30	26	18	4.2 5	23	18	0	43	36	0	3.25	20
V0452PSXXX	1/4"5way,2position, spring return		1/4	1/8	1080 l/m	100	40	30	21	4.2 5	30	20	9	47	39	10	3.25	24.6
V0852PSXXX	1/2"5way,2position, spring return		1/2	1/8	3500 l/m	167	60	40	40	5.5	50	40	0	81	80	0	N/A	50
V0252PPXXX	1/8"5way,2position, double pilot		1/8	1/8	650 l/m	96	30	26	18	4.2 5	23	18	0	48	36	0	3.25	20
V0452PPXXX	1/4"5way,2position, double pilot		1/4	1/8	1080 l/m	105	40	30	20	4.2 5	30	20	9	52.5	39	10	3.25	24.6
V0852PPXXX	1/2"5way,2position, double pilot		1/2	1/8	3500 l/m	172	60	40	40	5.5	50	40	0	86	80	0	N/A	50
V0252PPDXX	1/8"5way,2position, dominating pilot		1/8	1/8	650 l/m	96	30	26	18	4.2 5	23	18	0	48	36	0	3.25	20
V0452PPDXX	1/4"5way,2position, dominating pilot		1/4	1/8	1080 l/m	105	40	30	20	4.2 5	30	20	9	52.5	39	10	3.25	24.6
V0253PPCXX	1/8"5way,3position,double pilot,closed center		1/8	1/8	650 l/m	108	30	26	18	4.2 5	23	18	0	60	36	0	3.25	20
V0453PPCXX	1/4"5way,3position,double pilot,closed center		1/4	1/8	1080 l/m	105	40	30	20	4.2 5	30	20	9	52.5	39	10	3.25	24.6
V0853PPCXX	1/2"5way,3position,double pilot,closed center		1/2	1/8	3500 l/m	192	60	40	40	5.5	50	40	0	96	80	0	N/A	50
V0253PPOXX	1/8"5way,3position,double pilot, open center		1/8	1/8	650 l/m	108	30	26	18	4.2 5	23	18	0	60	36	0	3.25	20
V0453PPOXX	1/4"5way,3position,double pilot, open center		1/4	1/8	1080 l/m	105	40	30	20	4.2 5	30	20	9	52.5	39	10	3.25	24.6
V0853PPOXX	1/2"5way,3position,double pilot, open center		1/2	1/8	3500 l/m	192	60	40	40	5.5	50	40	0	96	80	0	N/A	50

SOLENOID VALVES 3-WAY

BATTLEFIELD INTERNATIONAL PNEUMATIC VALVES

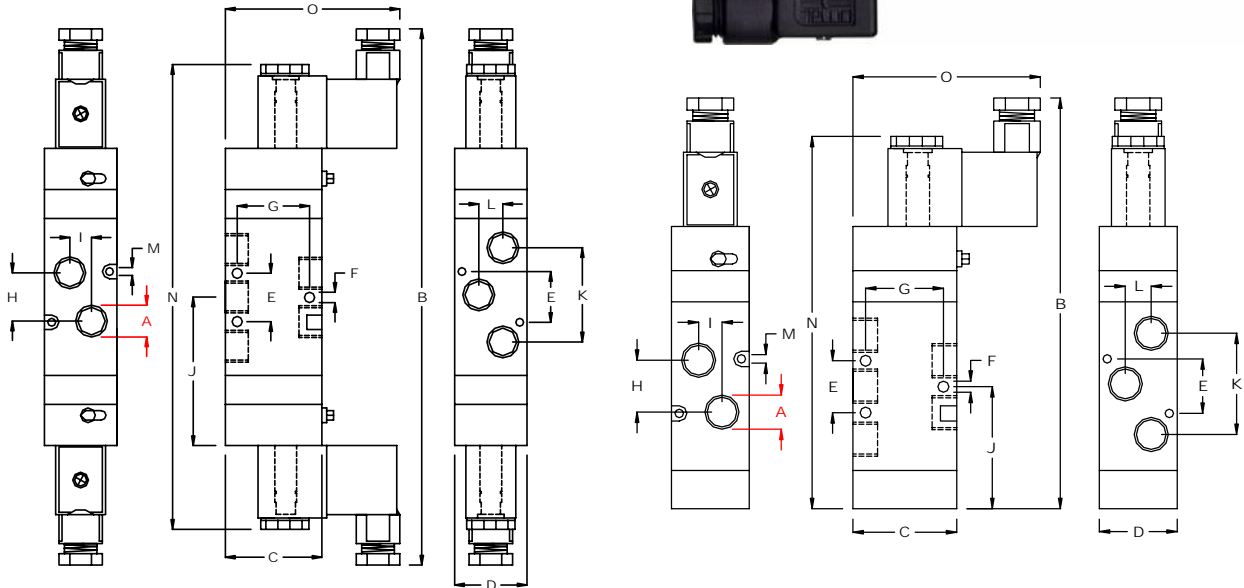


Series V0X32E are 3 way 2 position solenoid valves used to control air pilot valves, or to directly control cylinders and other pneumatic devices. Each Battlefield solenoid valve comes complete with the required solenoid coils and the coil plugs. This series offers exceptional flow characteristics and the 1/8 and 1/4 ported valves can be manifold mounted. Our V0X32E valves are made from machined and anodized aluminum. Temperature range is -20C....+80C. Supply pressure range is 3....10 bar



Part Number	Description	Schematic	A	B	Flow	C	D	E	F	G	H	I	J	M	N	O
V0232ESXXX -Voltage	1/8"3way 2position, solenoid operated, spring return, N-C		1/8	133	650 l/m	30	26	18	4.25	23	1.8	0	34.5	119	63	85
V0432ESXXX -Voltage	1/4"3way 2position, solenoid operated, spring return, N-C		1/4	140	1080 l/m	40	30	20	4.25	30	2.0	10	38	125	73	-
V0832ESXXX -Voltage	1/2"3way 2position, solenoid operated, spring return, N-C		1/2	172	3500 l/m	60	40	40	5.5	50	4	0	52	158	60	122
V0232ESOXX -Voltage	1/8"3way 2position, solenoid operated, spring return, N-O		1/8	133	650 l/m	30	26	18	4.25	23	1.8	0	34.5	119	63	85
V0432ESOXX -Voltage	1/4"3way 2position, solenoid operated, spring return, N-O		1/4	140	1080 l/m	40	30	20	4.25	30	2.0	10	38	125	73	-
V0832ESOXX -Voltage	1/2"3way 2position, solenoid operated, spring return, N-O		1/2	172	3500 l/m	60	40	40	5.5	50	4	0	52	158	60	122
V0232EEXXX -Voltage	1/8"3way 2position, double solenoid operated		1/8	197	650 l/m	30	26	18	4.25	23	1.8	0	50.5	169	63	101
V0432EEXXX -Voltage	1/4"3way 2position, double solenoid operated		1/4	203	1080 l/m	40	30	20	4.25	30	2.0	10	53	175	73	-
V0832EEXXX -Voltage	1/2"3way 2position, double pilot operated		1/2	240	3500 l/m	60	40	40	5.5	50	4	0	70	212	60	140

Series V0X5XE are 5 way 2 and 3 position solenoid valves used to control air pilot valves, or to directly control cylinders and other pneumatic devices. Each Battlefield solenoid valve comes complete with the required solenoid coils and the coil plugs. This series offers exceptional flow characteristics and the 1/8 and 1/4 ported valves can be manifold mounted. Our V0X5XE valves are made from machined and anodized aluminum. Temperature range is -20C.....+80C. Supply pressure range is 3....10 bar



Part Number	Description	Schematic	A	Flow	B	C	D	E	F	G	H	I	J	K	L	M	N	O
V0252ESXXX -voltage	1/8"5way,2position, solenoid, spring return		1/8	650 l/m	150	30	26	18	4.25	23	18	0	43	36	0	3.25	136	63
V0452ESXXX -voltage	1/4"5way,2position, solenoid, spring return		1/4	1080 l/m	158	40	30	20	4.25	30	20	9	47	39	10	3.25	143	73
V0852ESXXX -voltage	1/2"5way,2position, solenoid, spring return		1/2	3500 l/m	221	60	40	40	5.5	50	40	0	81	80	0	N/A	207	60
V0252EEEXX -voltage	1/8"5way,2position, double solenoid		1/8	650 l/m	215	30	26	18	4.25	23	18	0	59	36	0	3.25	186	63
V0452EEEXX -voltage	1/4"5way,2position, double solenoid		1/4	1080 l/m	220	40	30	21	4.25	30	20	9	62	39	10	3.25	191	73
V0852EEEXX -voltage	1/2"5way,2position, double solenoid		1/2	3500 l/m	280	60	40	40	5.5	50	40	0	90	80	0	N/A	252	60
V0253EECXX -voltage	1/8"5way,3position,doubl e solenoid,closed center		1/8	650 l/m	227	30	26	18	4.25	23	18	0	71	36	0	3.25	198	63
V0453EECXX -voltage	1/4"5way,3position,doubl e solenoid,closed center		1/4	1080 l/m	232	40	30	20	4.25	30	20	9	63	39	10	3.25	203	73
V0853EECXX -voltage	1/2"5way,3position,doubl e solenoid,closed center		1/2	3500 l/m	280	60	40	40	5.5	50	40	0	90	80	0	N/A	252	60
V0253EEOXX -voltage	1/8"5way,3position,doubl e solenoid, open center		1/8	650 l/m	227	30	26	18	4.25	23	18	0	71	36	0	3.25	198	63
V0453EEOXX -voltage	1/4"5way,3position,doubl e solenoid, open center		1/4	1080 l/m	232	40	30	20	4.25	30	20	9	62	39	10	3.25	203	73
V0853EEOXX -voltage	1/2"5way,3position,doubl e solenoid, open center		1/2	3500 l/m	280	60	40	40	5.5	50	40	0	90	80	0	N/A	252	60

SOLENOID VALVE ACCESSORIES

BATTLEFIELD INTERNATIONAL PNEUMATIC VALVES

Battlefield International Inc. offers parts for all of our products. Our solenoid valves include the required coils and standard coil plugs. We do offer replacement coils and coil plugs and also the LED coil plugs if requested as shown be-



CPS-DIN

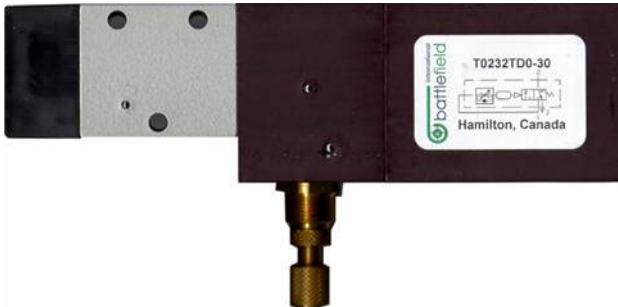


CPS-LED120AC
CPS-LED24VDC

Coil Part Number	Description
CS-120VAC	Coil for all series "V" valves 120 VAC
CS-12VDC	Coil for all series "V" valves 12 VDC
CS-220VAC	Coil for all series "V" valves 220 VAC
CS-24VAC	Coil for all series "V" valves 24 VAC
CS-24VDC	Coil for all series "V" valves 24 VDC
CS-48VAC	Coil for all series "V" valves 48 VAC

PNEUMATIC TIME DELAYS AND ONE-SHOT VALVES

T0232TD0-30 and V0232OSXXX



Valve Part Number	Description
T0232TD0-30	Pneumatic Timer 1/8" 0-30 Second variable. Pressure range 4-10 bar
V0232OSXXX	Pneumatic one-shot valve 1/8" variable signal length. Pressure range 2-10 bar

Battlefield International Inc. offers a pneumatic time-delay valve. Our **T0232TD0-30** is a pneumatic timer used to create delays in pneumatic controls. When pressure is introduced at port "1", the brass needle adjuster forces the air to enter a chamber at a preset rate which can be varied from 0-30 seconds. After the chamber fills, it allows the valve to shift and a continuous pneumatic signal is achieved at port "2".

We also offer a variable "one-shot" or "impulse" valve. Battlefield part number **V0232OSXXX** is a handy valve for eliminating conflict in pneumatic circuits. Our competitors offer similar valves but most of them do not have the variable feature. When pressure is introduced to port "1", a signal is allowed through to port "2" for a short but variable length of time. While pressure remains at port "1", the valve will cancel its own output at port "2" while exhausting the signal from port "2" to port "3". When the valve loses pressure at port "1" it resets and awaits its next signal at port "1".

Note: In many cases it is very useful to be able to control the length of the one-shot pulse to ensure a solid signal in cases where there are several pilot jobs for one valve. The Battlefield valve can do this both consistently and reliably.

BATTLEFIELD INTERNATIONAL PNEUMATIC VALVES

Series FC valves are generally used to control the speed of an air-cylinder. They are placed at the cylinder ports to enable full control of the exhausting air. With two FC valves it is possible to control the extend and retract speeds separately. Our FC valves are made from machined and anodized aluminum. Temperature range is -20C....+80C. Pressure range is 1....10 bar .

Part Number	Description	Thread Style
FC02	1/8" Flow Control	BSP or NPT
FC04	1/4" Flow Control	BSP or NPT
FC04R	1/4" Flow Control NPT	NPT only
FC06	3/8" Flow Control	BSP or NPT
FC06R	3/8" Flow Control NPT	NPT only
FC08	1/2" Flow Control	BSP or NPT
FC08R	1/2" Flow Control NPT	NPT only

CONTROL VALVES FLOW CONTROL



CONTROL VALVES QUICK EXHAUST

Series QE valves are used to speed up air-cylinder travel. They are placed at the cylinder ports to enable the cylinder exhaust to escape quickly. This valve uses a shuttling disc instead of the more commonly used diaphragm to ensure long life. Our QE valves are made from machined and anodized aluminum. Temperature range is -20C....+80C. Pressure range is 1....10 bar .

Part Number	Description	Flow
QE02	1/8" Quick Exhaust	1.1 Cv
QE04	1/4" Quick Exhaust	3Cv
QE08	1/2" Quick Exhaust	6Cv
QE16	1" Quick Exhaust	8Cv

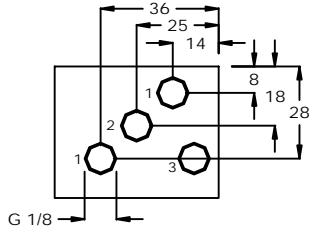


**LOGIC VALVES
ANTI TIE DOWN**

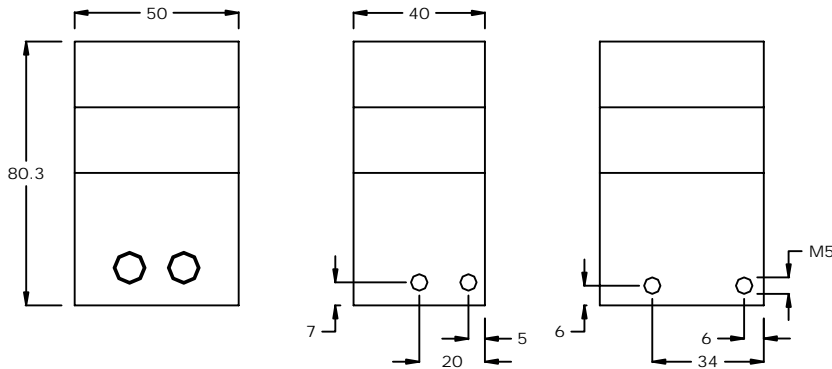
BATTLEFIELD INTERNATIONAL PNEUMATIC VALVES



V0232ATD Valves are Anti-Tie down valves which, when connected to two 3 way manual valves, ensure that both manual valves must be operated each time simultaneously before a signal will get through this logic element. The purpose of this valve is to ensure operator safety by ensuring both hands must be on the valves and away from machinery. Our logic valves are made from machined and anodized aluminum. Temperature range is -20C....+80C. Pressure range is 1....10 bar .



Part Number	Description
V0232ATD	1/8" Anti Tie Down Module



**LOGIC VALVES
OR (shuttle) and NOT elements**



Series OR valves are used to enable two different 3 way valves to connect to the same pilot port. Series L01 NOT valves enable cylinder location detection without the need for limit valves. Our logic valves are made from machined and anodized aluminum. Temperature range is -20C....+80C. Pressure range is 1....10 bar .



Part Number	Description
OR02	1/8" "OR" Shuttle Valve
OR4MIL	4mm Push Connect "OR" Shuttle Valve
L01NOT	4mm Push Connect "NOT" Logic Valve

