

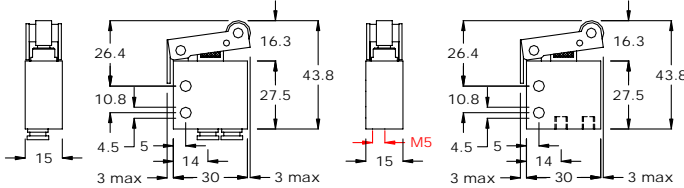
## MECHANICAL VALVES 3- WAY

## BATTLEFIELD INTERNATIONAL PNEUMATIC VALVES

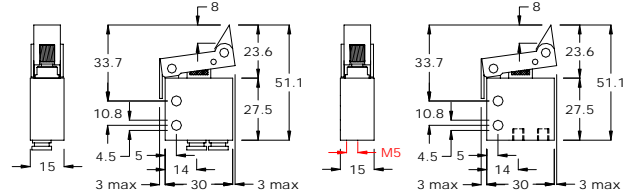


Series V01 roller valves are used to control air pilot valves, or to directly control small cylinders. These valves are made from machined and anodized aluminum. Temperature range is -20C....+80C.

V0132RS



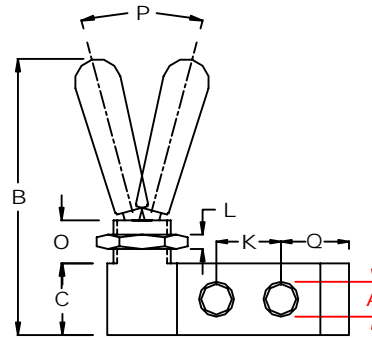
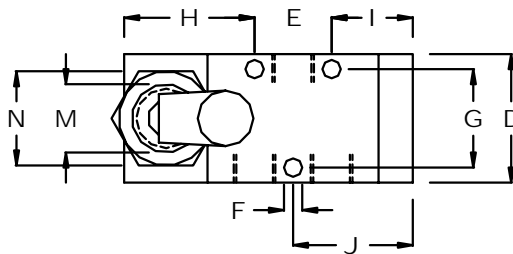
V0132IS



Part Number With 4mm - 5/32 OD Instant Tube Fittings	Part Number With M5 - 10/32 Female Thread	Schematic	Description
V0132RSX4X	V0132RSXXX		3/2 way Manual Valve Roller Operated Spring Return Normally Closed
V0132ISX4X	V0132ISXXX		3/2 way Manual Valve Idle or One-way Roller Operated Spring Return Normally Closed

## LEVER VALVES 3- WAY

Series V0X32L are 3 way 2 position valves used to control air pilot valves, or to directly control cylinders. They are easily mounted in pneumatic control panels by utilizing the mounting nut. Our V0X32L valves are made from machined and anodized aluminum. Temperature range is -20C....+80C. Pressure range is 0....10 bar .



Part Number	Description	Schematic	A	Flow	B	C	D	E	F	G	H	I	J	K	L	M	N	O	P	Q
V0232LSXXX	1/8" Lever / Spring		1/8	650 l/m	68	20	30	18	4.3	23	31	19	28	18	6	M16X1.5	22	12	30d	19
V0432LSXXX	1/4" Lever / Spring		1/4	1080 l/m	87	25	40	20	4.3	30	37.5	31	19.5	30	22	4	M25X1.5	32	12.5	30d
V0232LDXXX	1/8" Lever / Detent		1/8	650 l/m	68	20	30	18	4.3	23	31	19	28	18	6	M16X1.5	22	12	30d	19
V0432LDXXX	1/4" Lever / Detent		1/4	1080 l/m	87	25	40	20	4.3	30	37.5	31	19.5	30	22	4	M25X1.5	32	12.5	30d