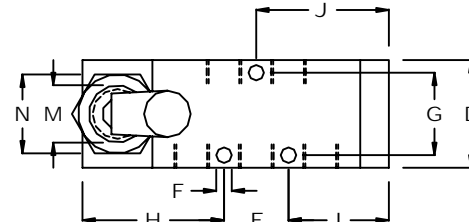
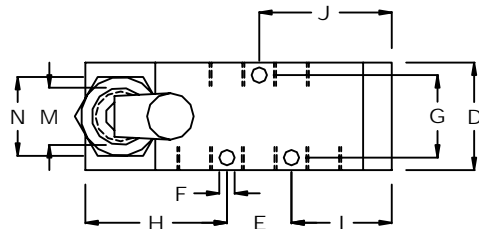
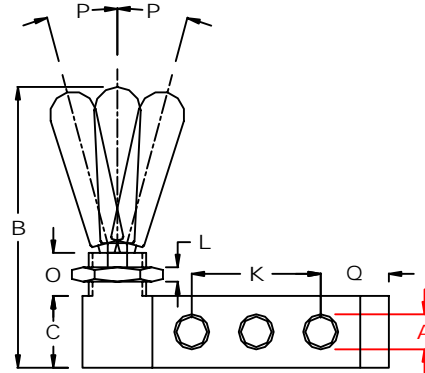
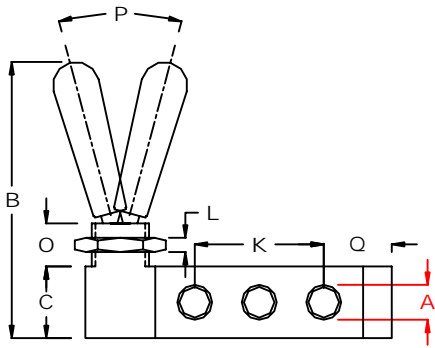


# BATTLEFIELD INTERNATIONAL PNEUMATIC VALVES

## LEVER VALVES 5-WAY

Series V0X5XL are 5 way, 2 or 3 position valves used to control air pilot valves, or to directly control cylinders. They are easily mounted in pneumatic control panels by utilizing the mounting nut. Our lever valves are made from machined and anodized aluminum. Temperature range is -20C....+80C. Pressure range is 0....10 bar . Flows for 1/8" valves are 650 l/m and 1/4" at 1080 l/m.



Part Number	Description	Schematic	A	Flow	B	C	D	E	F	G	H	I	J	K	L	M	N	O	P	Q
V0252LDXXX	1/8"5way,2position, detent		1/8	650 l/m	68	20	30	18	4.3	23	40	28	37	36	4	M16X1.5	22	12	30d	19
V0452LDXXX	1/4"5way,2position, detent		1/4	1080 l/m	87	25	40	20	4.3	30	46	29	39	41	6	M25X1.5	32	12.5	30d	18.5
V0252LSXXX	1/8"5way,2position, spring return		1/8	650 l/m	68	20	30	18	4.3	23	40	28	37	36	4	M16X1.5	22	12	15d	19
V0452LSXXX	1/4"5way,2position, spring return		1/4	1080 l/m	87	25	40	20	4.3	30	46	29	39	41	6	M25X1.5	32	12.5	15d	18.5
V0253LDCXX	1/8"5way,3position, closed center, detent		1/8	530 l/m	68	20	30	18	4.3	23	40	28	37	36	4	M16X1.5	22	12	30d	19
V0453LDCXX	1/4"5way,3position, closed center, detent		1/4	800 l/m	87	25	40	20	4.3	30	46	29	39	41	6	M25X1.5	32	12.5	30d	18.5
V0253LDOXX	1/8"5way,3position, open center, detent		1/8	530 l/m	68	20	30	18	4.3	23	40	28	37	36	4	M16X1.5	22	12	15d	19
V0453LDOXX	1/4"5way,3position, open center, detent		1/4	800 l/m	87	25	40	20	4.3	30	46	29	39	41	6	M25X1.5	32	12.5	15d	18.5
V0253LSCXX	1/8"5way,3position, closed center, spring return		1/8	530 l/m	68	20	30	18	4.3	23	40	28	37	36	4	M16X1.5	22	12	30d	19
V0453LSCXX	1/4"5way,3position, closed center, spring return		1/4	800 l/m	87	25	40	20	4.3	30	46	29	39	41	6	M25X1.5	32	12.5	30d	18.5
V0253LSOXX	1/8"5way,3position, open center, spring return		1/8	530 l/m	68	20	30	18	4.3	23	40	28	37	36	4	M16X1.5	22	12	15d	19
V0453LSOXX	1/4"5way,3position, open center, spring return		1/4	800 l/m	87	25	40	20	4.3	30	46	29	39	41	6	M25X1.5	32	12.5	15d	18.5